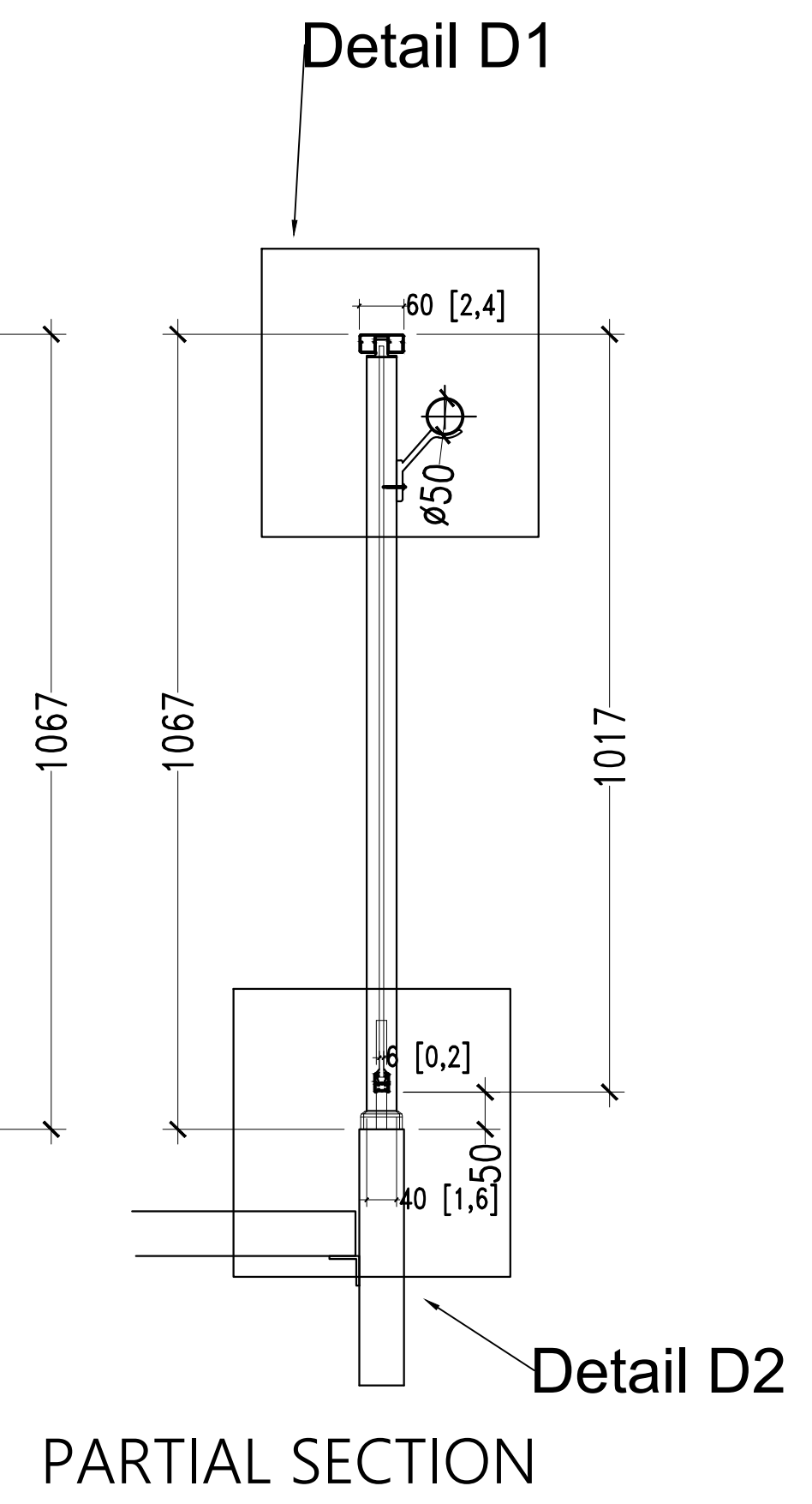
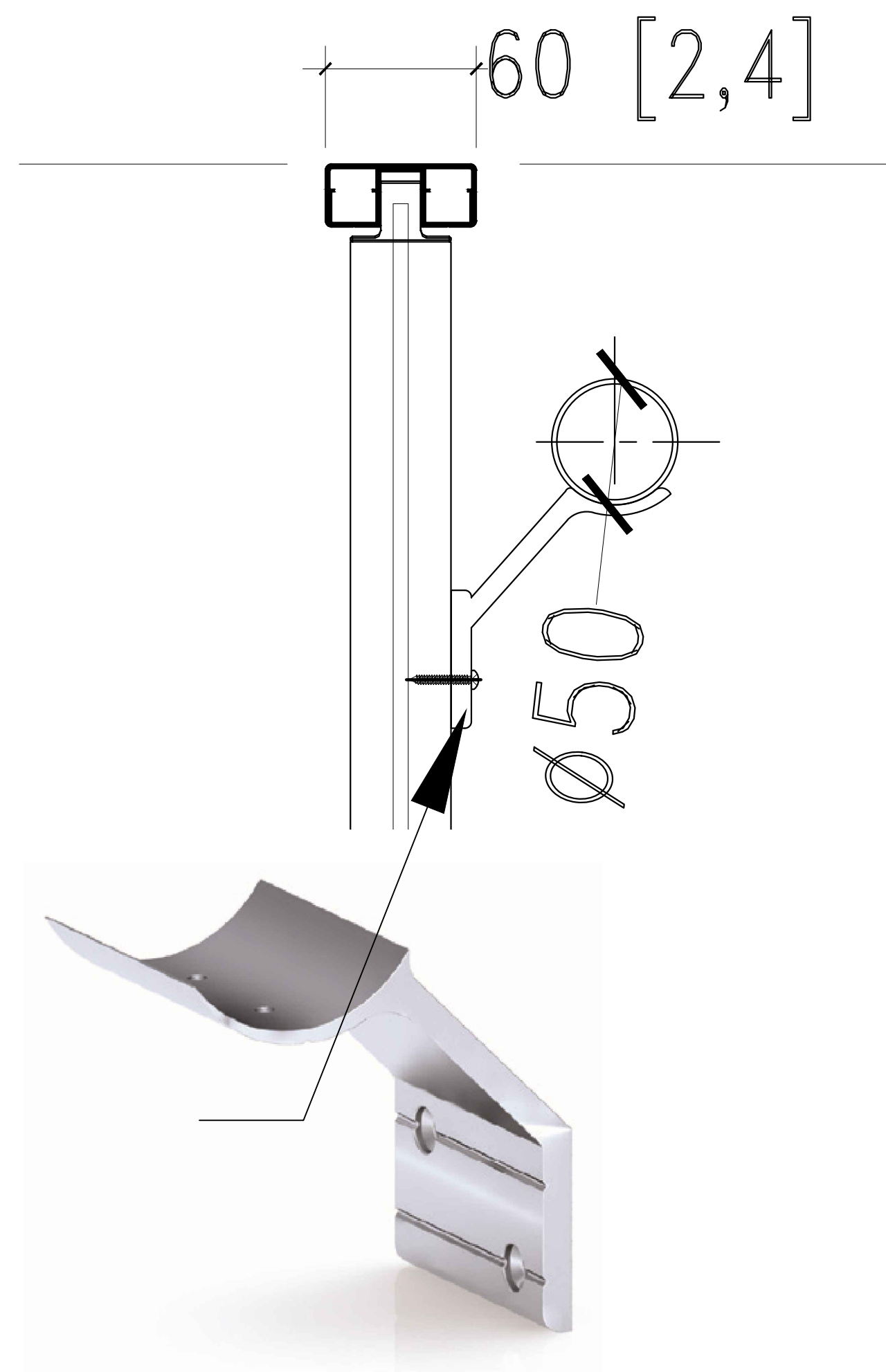


PARTIAL ELEVATION

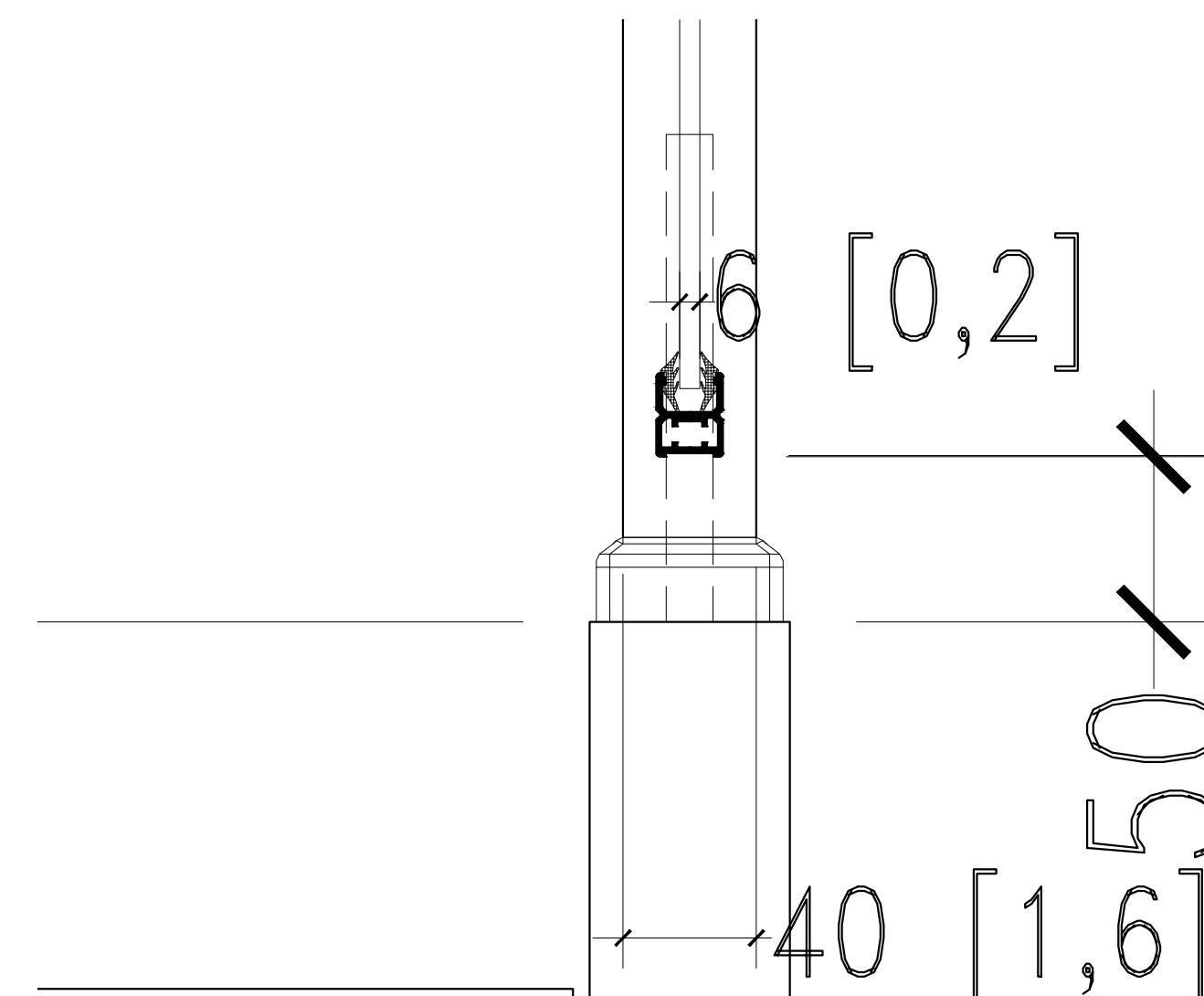


PARTIAL SECTION

Detail D1



Detail D2



Total Façade Solutions Inc.
 748 Marine Dr
 North Vancouver, BC
 V7M 1H3

Phone: (778)729 1575
Fax: (604) 506 0505
Email:
 estimates@totalproject.ca
Website:
 www.totalfacadesolutions.com

PROJECT TITLE

Glass Railings

SHEET TITLE

Shop Drawings

DRAWING BY

Paula Combariza

DATE

Aug/14/20

SET

SHEET NO.

SCALE

GR-8

N.F.S