

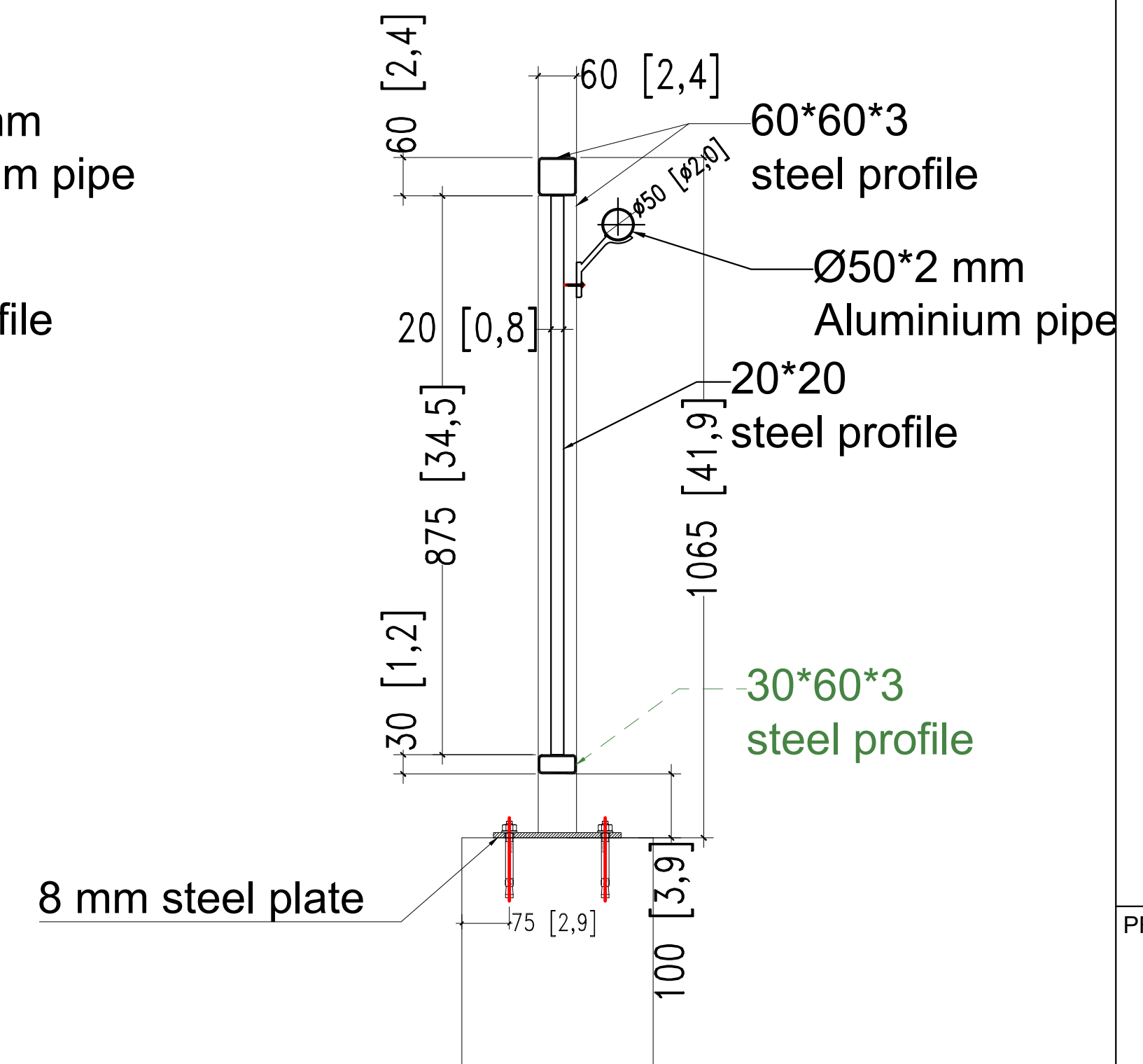
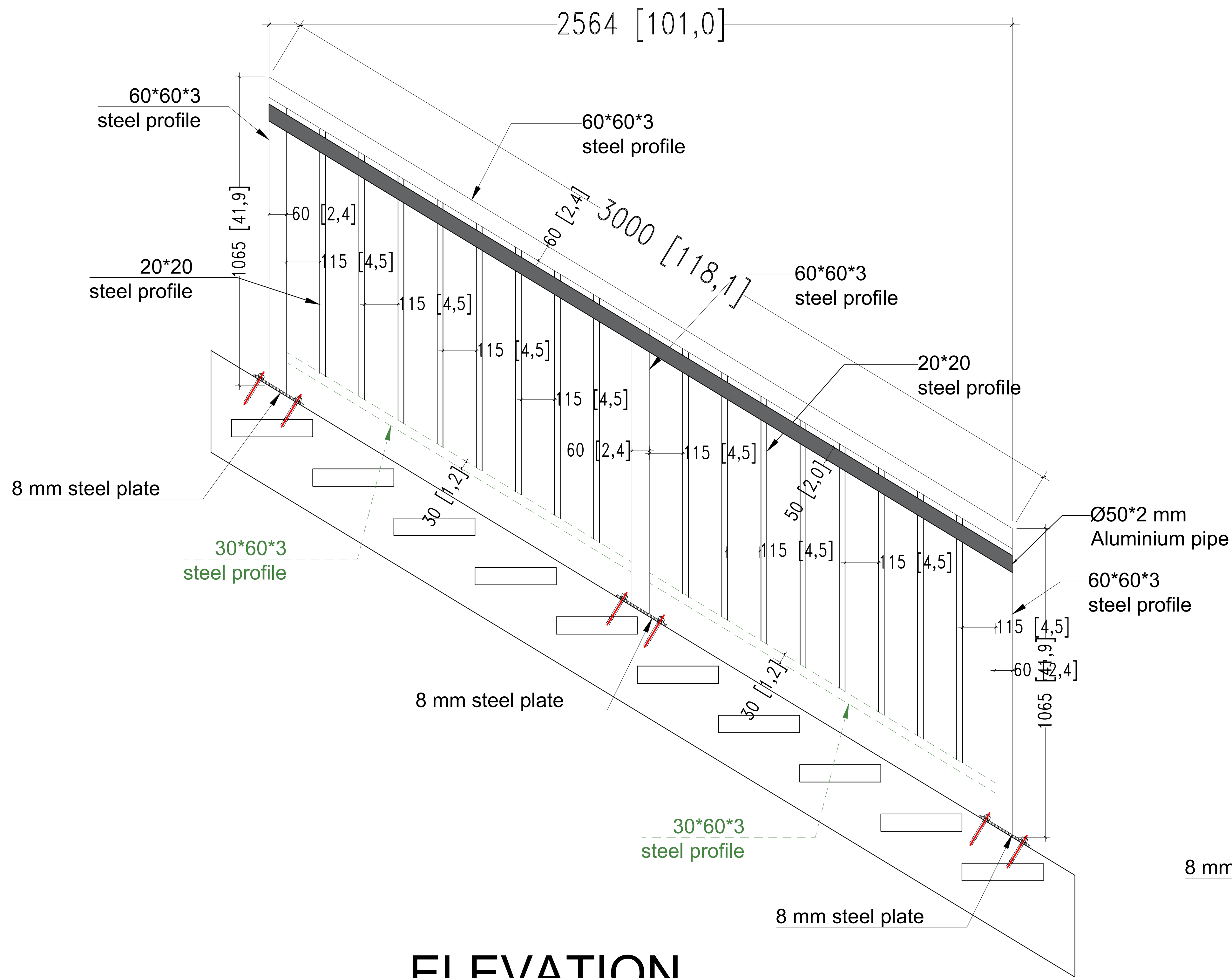
PROJECT TITLE  
Staircase

SHEET TITLE  
Shop Drawings

DRAWING BY  
Paula Combariza

DATE  
Aug/14/20

SET	SHEET NO.
SCALE	<b>GR-4</b>
N.F.S	



**PLAN**

